



# Advanced Serial Library

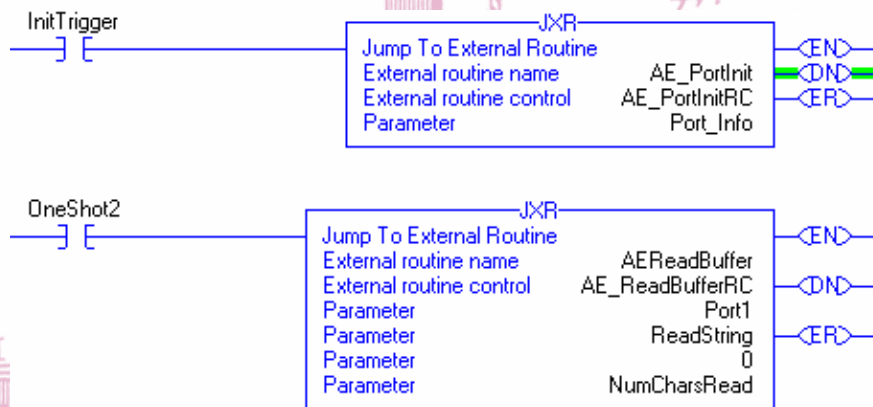
Advanced Engineering, Inc.

Industrial Computer & Information Systems

513 Autumn Springs Ct. Franklin, TN. 37067

(615)771-6500 FAX 615-6501 www.adveng.com

## Access up to 256 Serial ports from your Allen Bradley SoftLogix 5800 Controller



### Overview

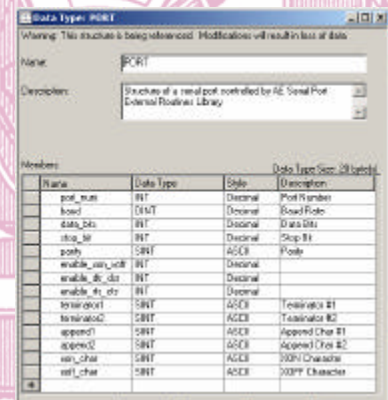
The Advanced Engineering extension to the SoftLogix 5800 allows PLC programmers to read and write data to 256 serial ports. Configuration settings such as baud rate, data bits, parity and termination characters are specified for each serial port opened. Once opened, reads and writes to that port may be processed.

### SoftLogix Logic External Routine Libraries

External Routine (ER) libraries for Allen Bradley SoftLogix 5800 allow the addition of new instructions to the PLC's standard instruction set. These instructions are used the same way as the built-in instructions, such as MOV or TON. This extensibility of the instruction set allows easy customization of the SoftLogix 5800 to suit any needs.

### User Defined Structures

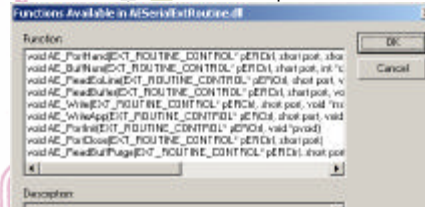
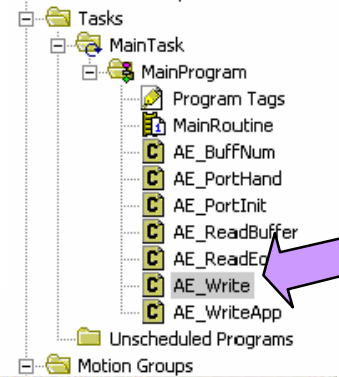
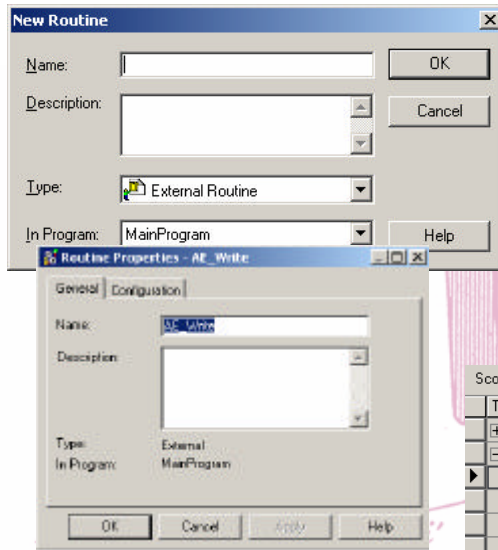
User Defined Structures allow the creation of custom data types. In the case of the Serial instructions we have created the PORT structure. The PORT structure contains the settings to make a connection to the serial port, handshake settings and string termination characters.



(OVER)

## Advanced Serial Library ER

Installation is simple. Give a name to the routine, for example: **AE\_Write**. Field type to be **EXTERNAL ROUTINE**. Enter a description, press OK. Routine will be displayed in **MainProgram**.



Tag Name	Value	Force Mask	Style	Type
Port1	0		Decimal	INT
Port_Info	{...}	{...}		PORT[2]
Port_Info[0]	{...}	{...}		PORT
Port_Info[0].port_num	0		Decimal	INT
Port_Info[0].baud	9600		Decimal	DINT
Port_Info[0].data_bits	8		Decimal	INT
Port_Info[0].stop_bit	1		Decimal	INT
Port_Info[0].parity	'M'		ASCII	SINT
Port_Info[0].enable_xon_woff	0		Decimal	INT
Port_Info[0].enable_dtr_dsr	0		Decimal	INT

### Advanced Serial Library ER Hardware and Software Requirements

Windows NT4.0 SP4 or Windows 2000  
 Rockwell Software SoftLogix 5800 Version 10.0  
 10 meg of free hard disk space

#### Price

**\$600.00**

Part Number AE-SQL-RER-1023

If you need additional information, please E-Mail to [sales@adveng.com](mailto:sales@adveng.com).  
 Resellers are welcome!



SoftLogix is a registered Trademark of Rockwell Automation  
 Copyright Advanced Engineering, Inc. 2002