



Advanced SQL Library ER

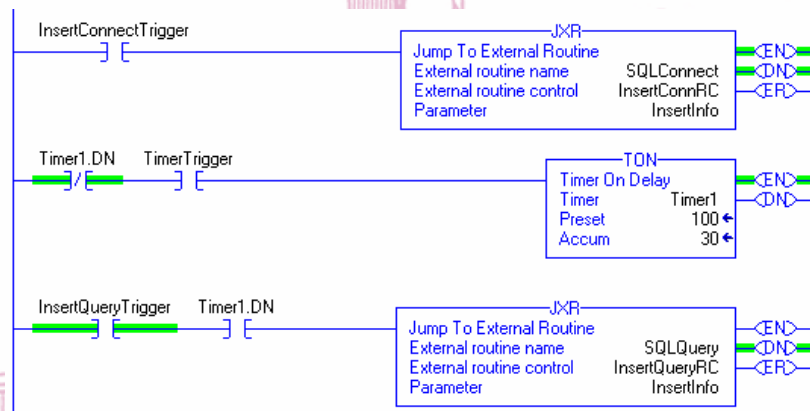
Advanced Engineering, Inc.

Industrial Computer & Information Systems

513 Autumn Springs Ct. Franklin, TN. 37067

(615)771-6500 FAX 615-6501 www.adveng.com

SQL Instruction for Allen Bradley SoftLogix 5800 Controller



OVERVIEW

The Advanced Engineering extension to the SoftLogix 5800 allows PLC programmers to query any ODBC-compliant database. Configuration settings such as the Data Source Name, user name and password are specified for each Data Source that will be accessed.

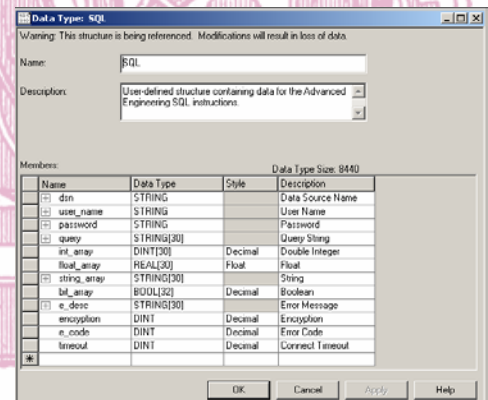
SOFTLOGIX LOGIC EXTERNAL ROUTINE LIBRARIES

External Routine (ER) libraries for Allen Bradley SoftLogix 5800 allow the addition of new instructions to the PLC's standard instruction set. These instructions are used the same way as the built-in instructions, such as MOV or TON. This extensibility of the instruction set allows easy customization of the SoftLogix 5800 to suit any needs.

USER DEFINED STRUCTURES

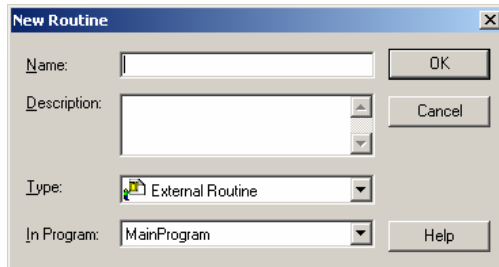
User Defined Structures allow the creation of custom data types. In the case of the SQL instructions we have created the SQL structure. The SQL structure contains the SQL query to be executed, information used to connect to the database, variables used in the query and returned by the query, and error codes returned by the query.

(OVER)



ADVANCED SQL LIBRARY ER

Installation is simple. Give a name to the routine, for example: **SQLConnect**. Field type to be **EXTERNAL ROUTINE**. Enter a description, press OK. Routine will be displayed in **MainProgram**.



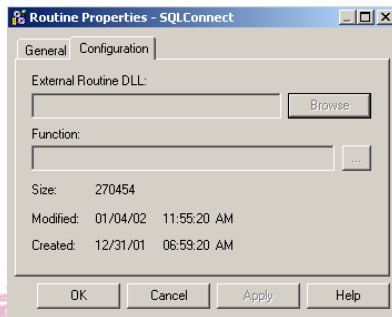
New Routine

Name: OK

Description: Cancel

Type: External Routine

In Program: MainProgram Help



Routine Properties - SQLConnect

General Configuration

External Routine DLL: Browse

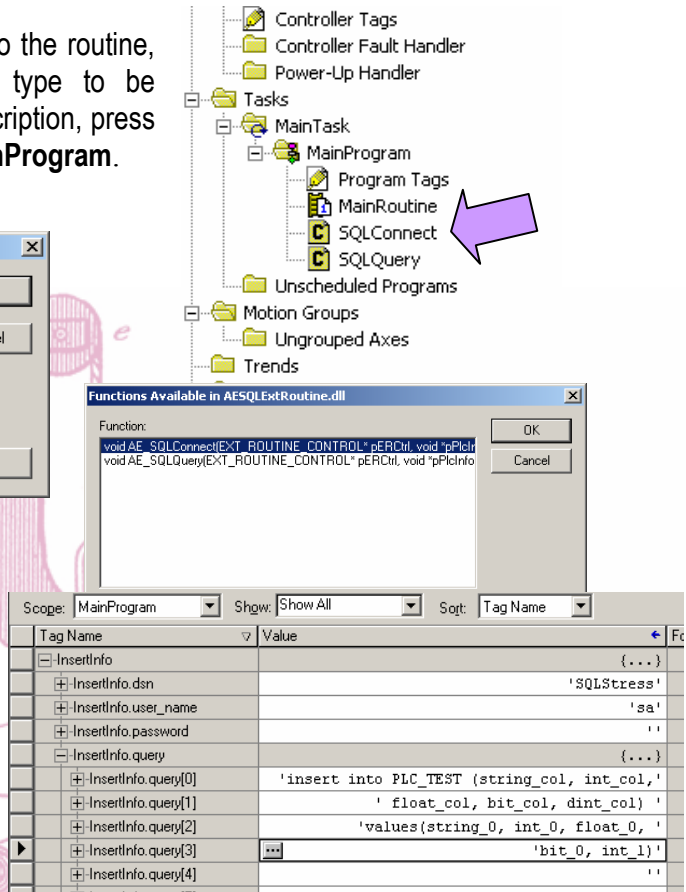
Function: ...

Size: 270454

Modified: 01/04/02 11:55:20 AM

Created: 12/31/01 06:59:20 AM

OK Cancel Apply Help



Controller Tags
Controller Fault Handler
Power-Up Handler
Tasks
MainTask
MainProgram
Program Tags
MainRoutine
SQLConnect
SQLQuery
Unscheduled Programs
Motion Groups
Ungrouped Axes
Trends

Functions Available in AESQLExtRoutine.dll

Function: OK
void AE_SQLConnect(EXT_ROUTINE_CONTROL* pERCtrl, void* pPcInfo, void* pPcInfo)
void AE_SQLQuery(EXT_ROUTINE_CONTROL* pERCtrl, void* pPcInfo)

Scope: MainProgram Shgw: Show All Sort: Tag Name

Tag Name	Value
[-] InsertInfo	{...}
[-] InsertInfo.dsn	'SQLStress'
[-] InsertInfo.user_name	'sa'
[-] InsertInfo.password	''
[-] InsertInfo.query	{...}
[-] InsertInfo.query[0]	'insert into PLC_TEST (string_col, int_col, float_col, bit_col, dint_col)'
[-] InsertInfo.query[1]	' values(string_0, int_0, float_0, bit_0, int_1)'
[-] InsertInfo.query[2]	' ...'
[-] InsertInfo.query[3]	' ...'
[-] InsertInfo.query[4]	' ...'

ADVANCED SQL LIBRARY ER HARDWARE AND SOFTWARE REQUIREMENTS

Windows NT4.0 SP4 or Windows 2000
Rockwell Software SoftLogix 5800 Version 10.0
10 meg of free hard disk space

PRICE

\$600.00

Part Number AE-SQL-RER-1023

If you need additional information, please E-Mail to sales@adveng.com.
Resellers are welcome!



SoftLogix is a registered Trademark of Rockwell Automation
Copyright Advanced Engineering, Inc. 2002